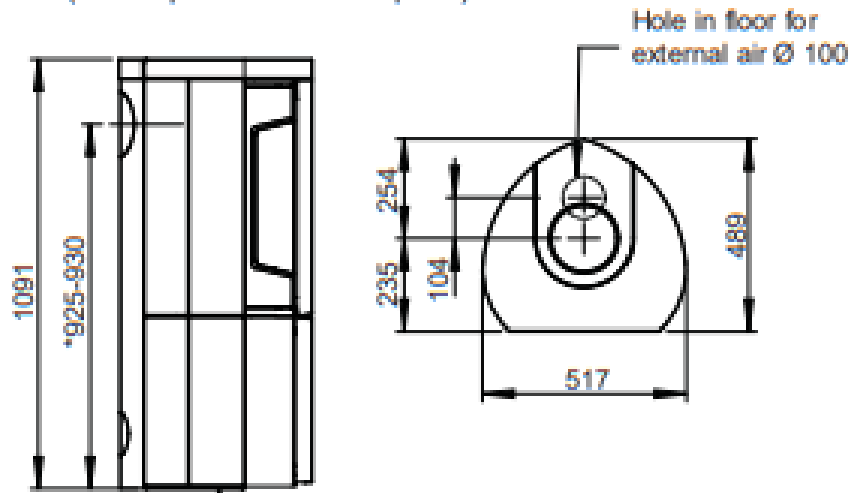




HUIS & HAARD

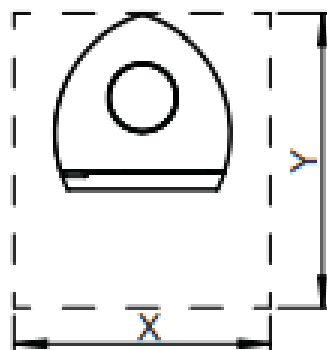
haarden & kachels

Jøtul F 164 S / Jøtul F 165 S
(for soapstone and floor plate)



* Smoke outlet - height for soapstone and floor plate

Floor plate



Min. measurements
floor plate X and Y =
See chapter 4.1