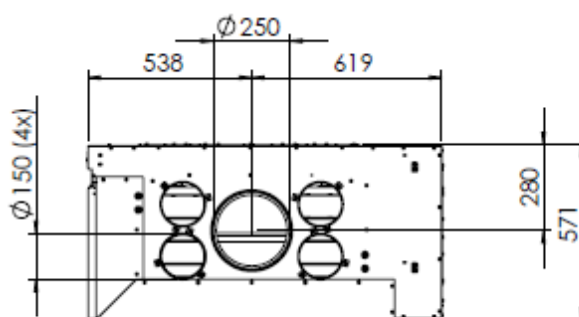
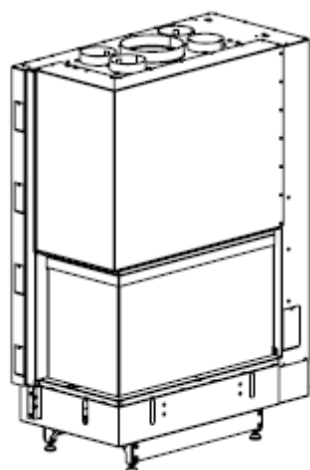
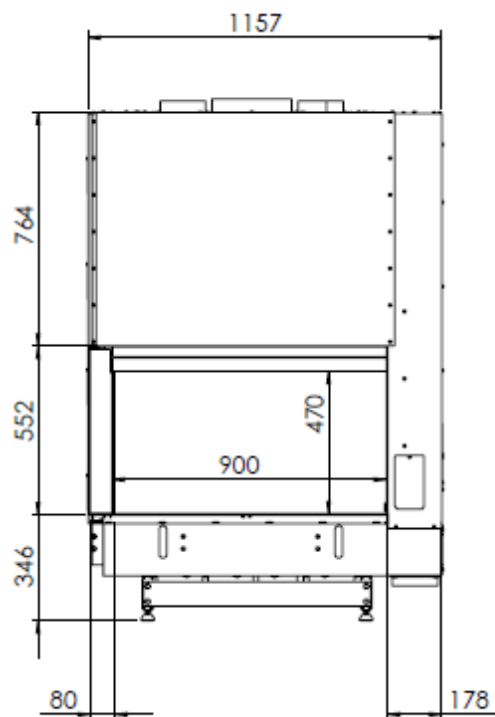
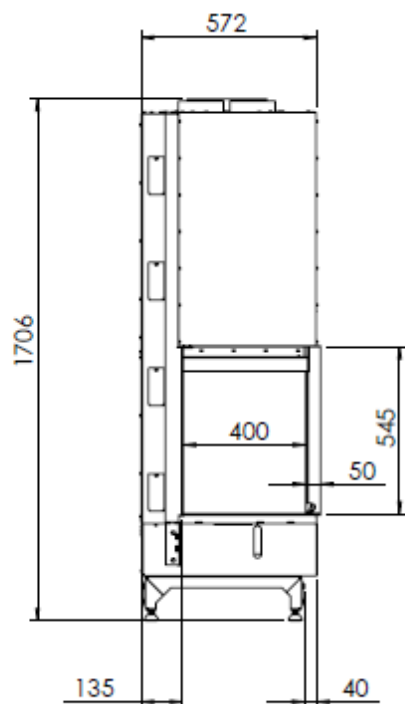


**KALFIRE**  
FIREPLACES

W90-47CL



All dimensions in mm. Modifications under reserve.

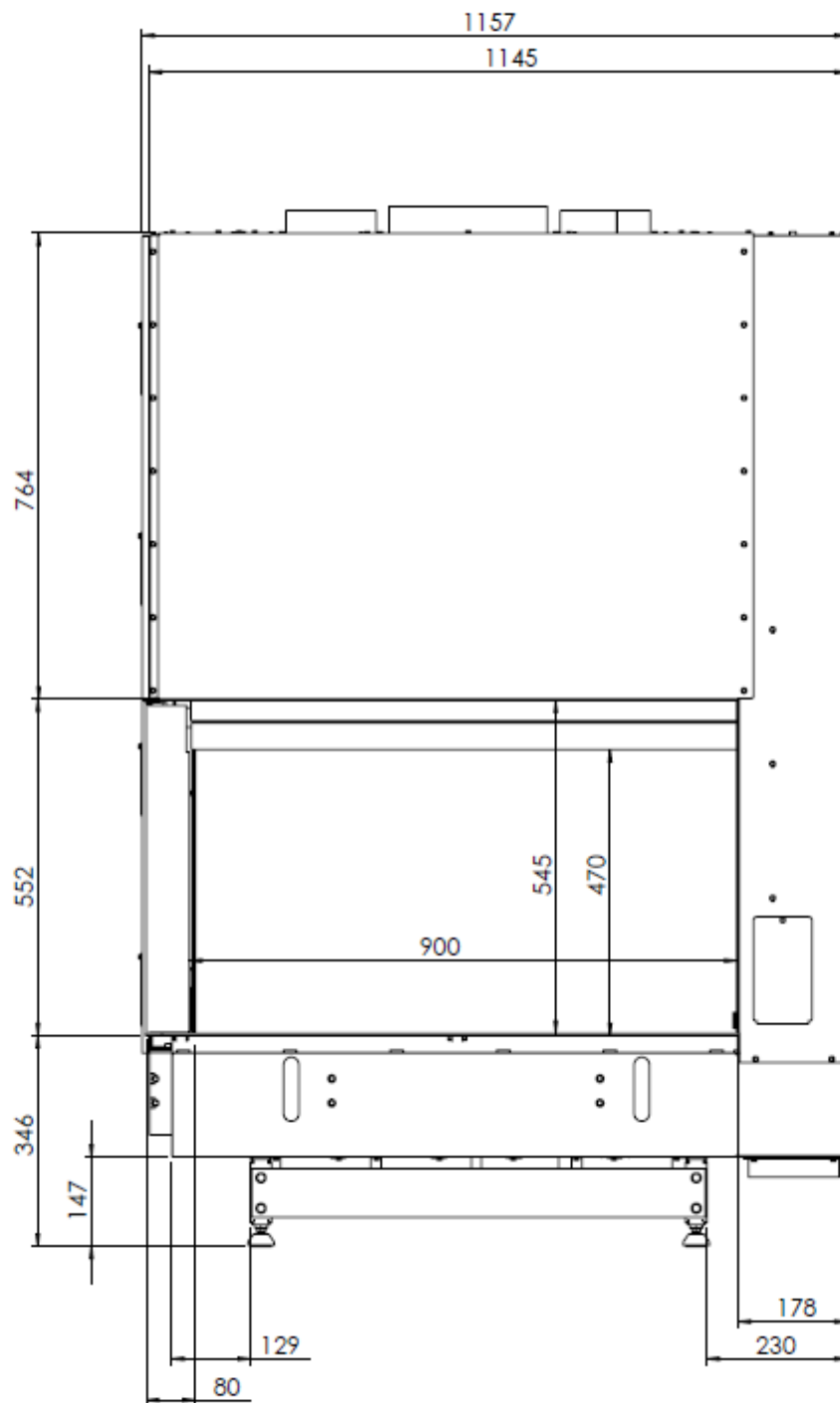
21-4-2017 sheet 1 / 5

© All rights reserved. This drawing is sole property of Kal-fire. No part of this drawing may be reproduced, or published, in any form or in any way without prior written permission from Kal-fire.

# KALFIRE

FIREPLACES

W90-47CL



All dimensions in mm. Modifications under reserve.

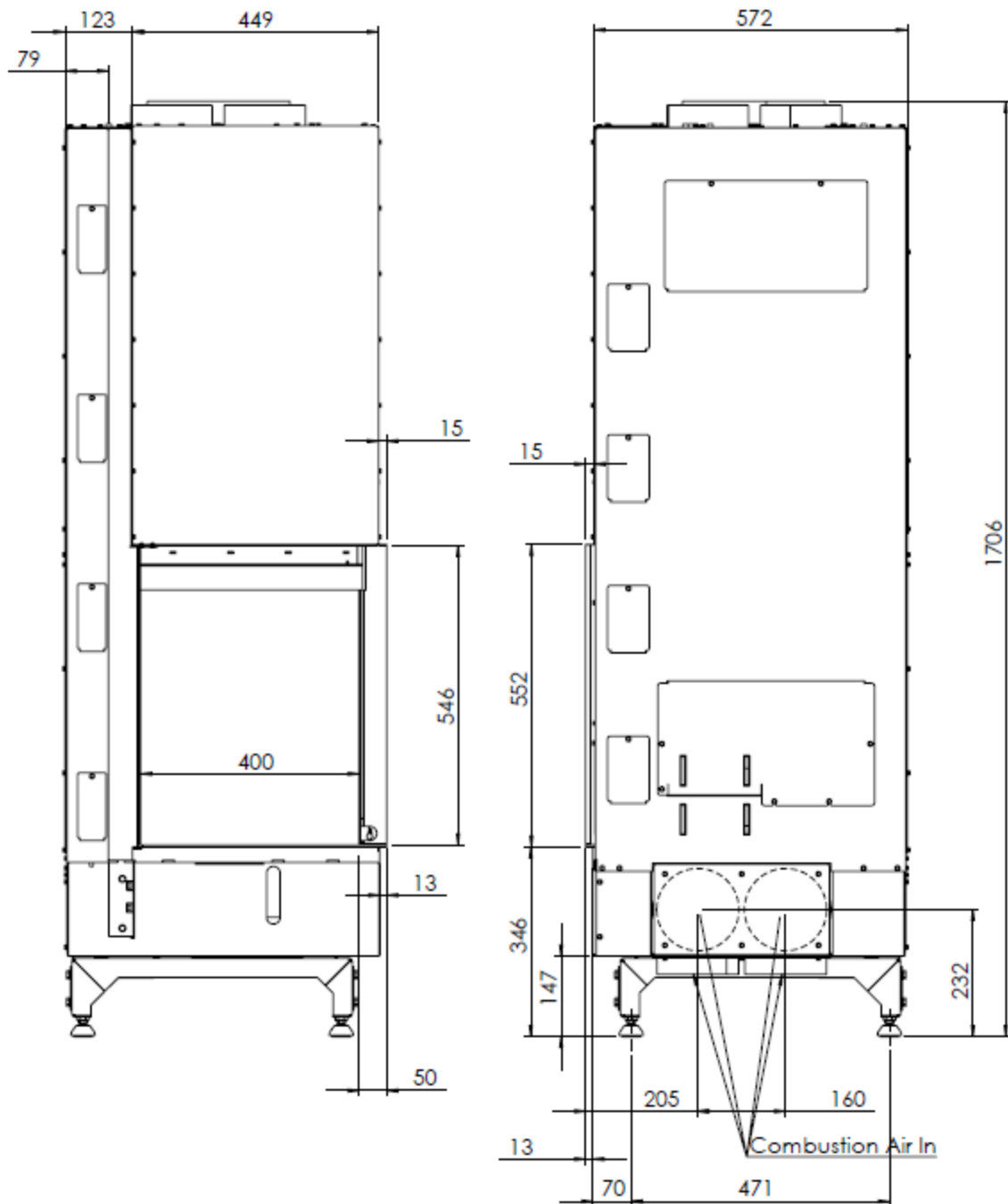
21-4-2017 sheet 2 / 5

© All rights reserved. This drawing is sole property of Kal-fire. No part of this drawing may be reproduced, or published, in any form or in any way without prior written permission from Kal-fire.

# KALFIRE

FIREPLACES

W90-47CL



All dimensions in mm. Modifications under reserve.

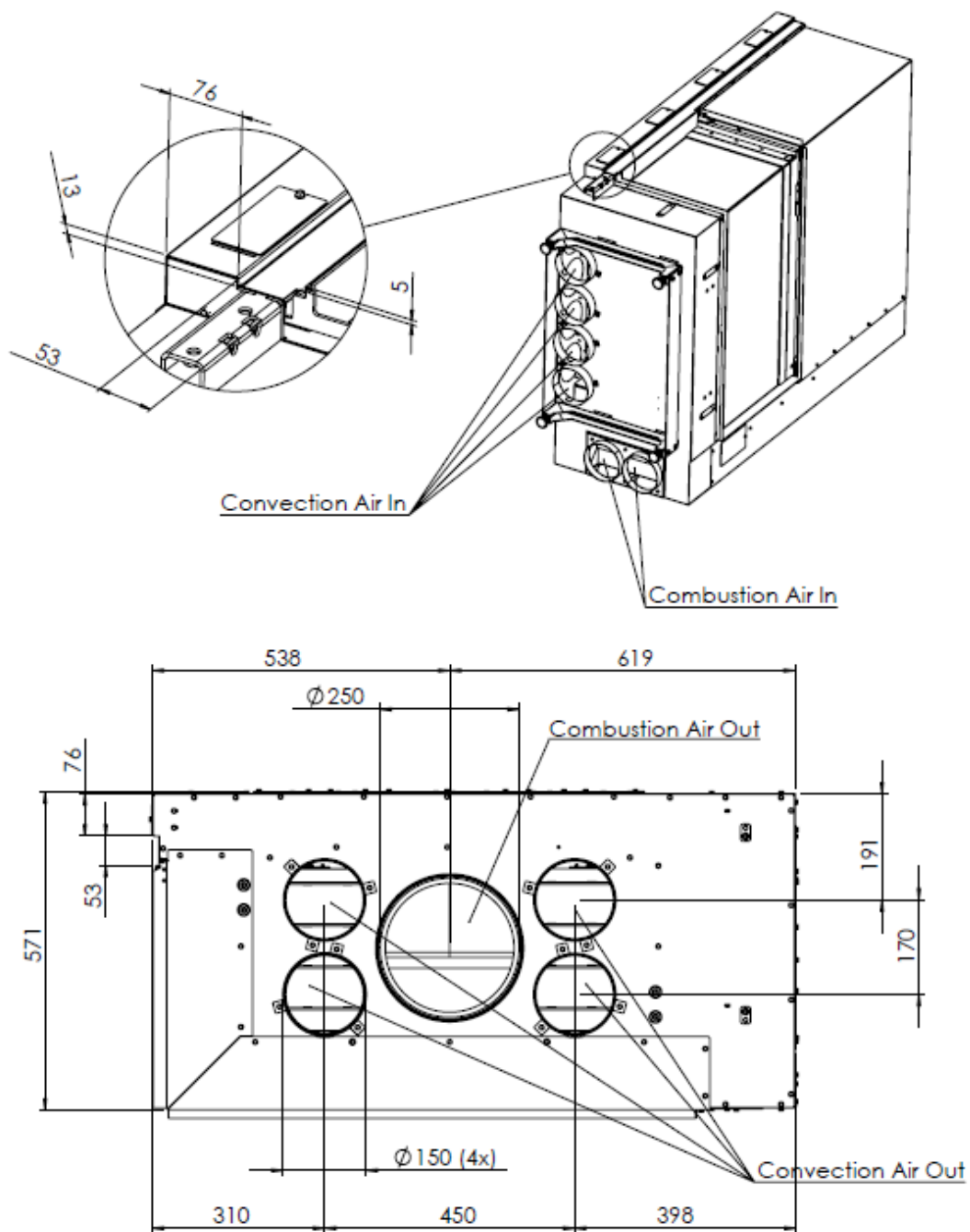
21-4-2017 sheet 3 / 5

© All rights reserved. This drawing is sole property of Kal-fire. No part of this drawing may be reproduced, or published, in any form or in any way without prior written permission from Kal-fire.

# KALFIRE

FIREPLACES

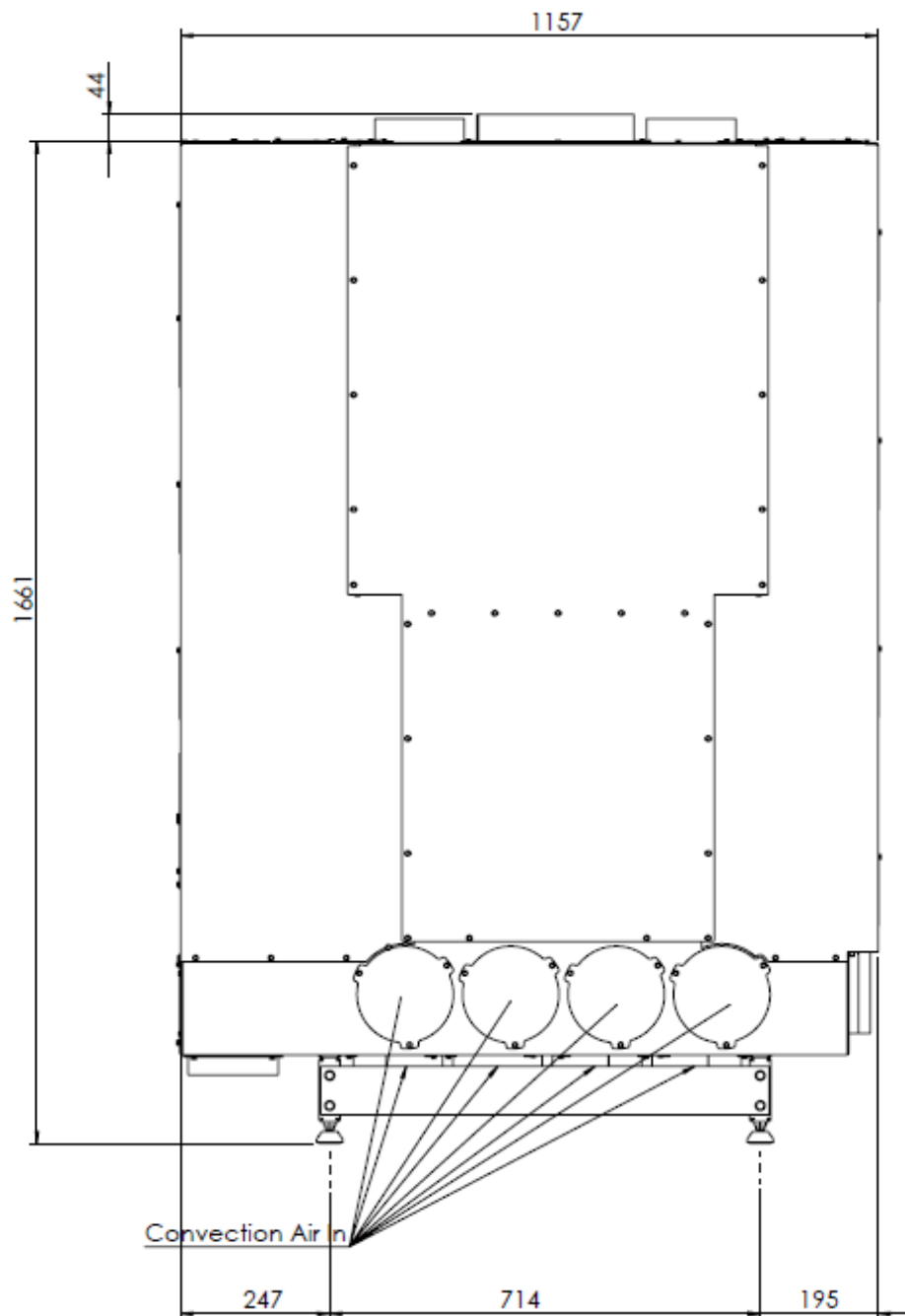
W90-47CL



All dimensions in mm. Modifications under reserve.

21-4-2017 sheet 4 / 5

© All rights reserved. This drawing is sole property of Kal-fire. No part of this drawing may be reproduced, or published, in any form or in any way without prior written permission from Kal-fire.



All dimensions in mm. Modifications under reserve.

21-4-2017 sheet 5 / 5

© All rights reserved. This drawing is sole property of Kal-fire. No part of this drawing may be reproduced, or published, in any form or in any way without prior written permission from Kal-fire.