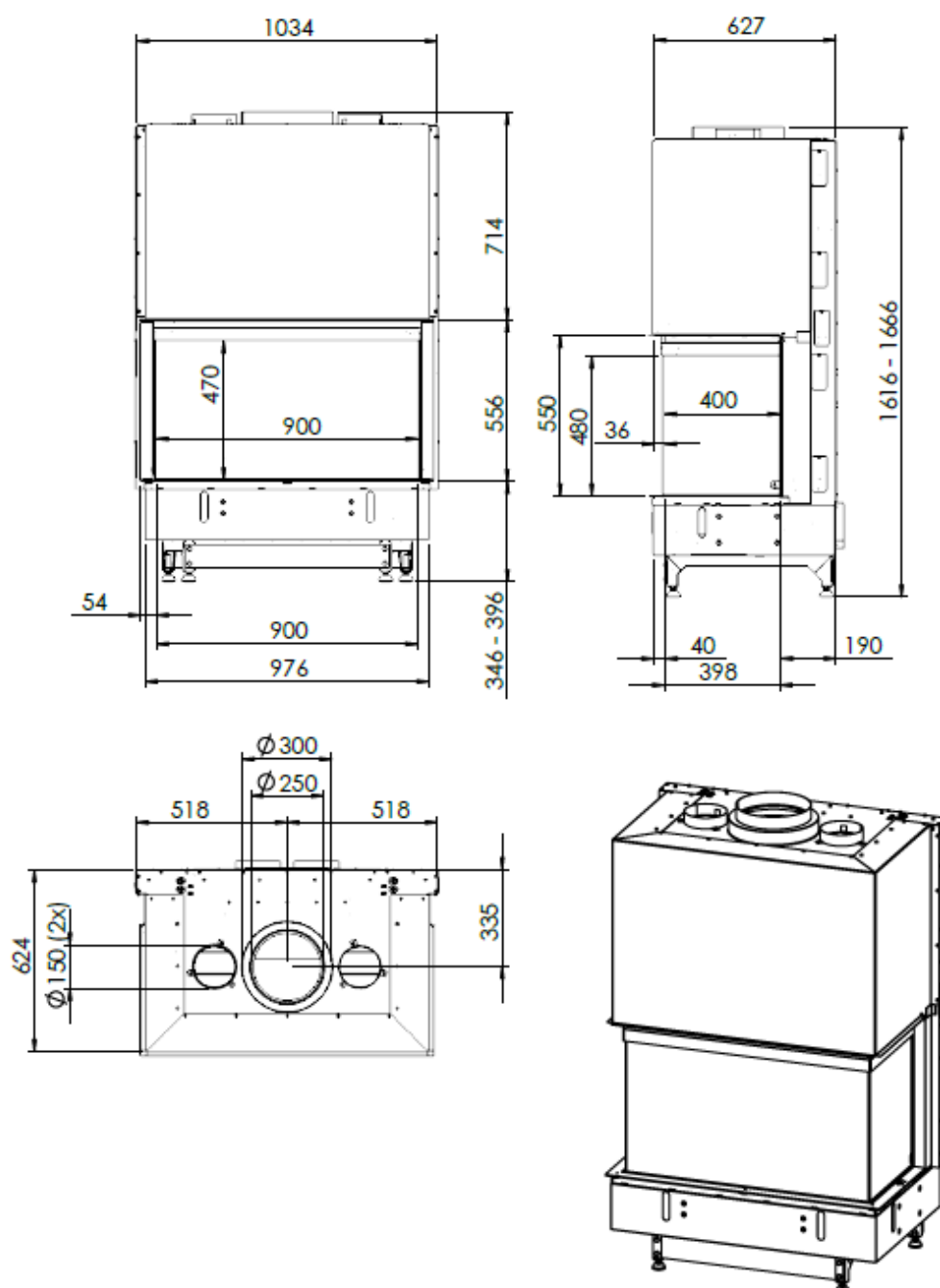


KALFIRE
FIREPLACES

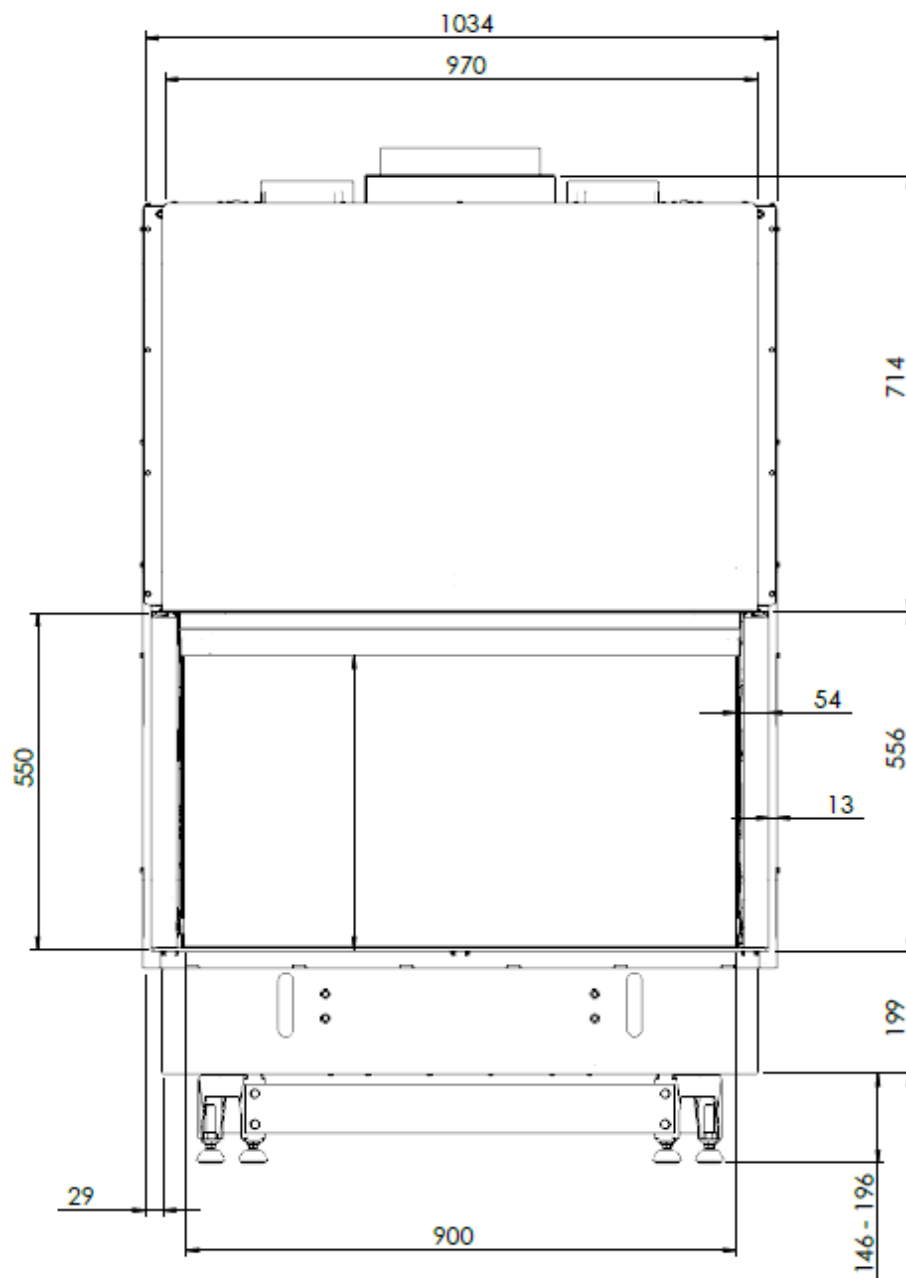
W90-47S



All dimensions in mm. Modifications under reserve.

2-9-2016 sheet 1 / 5

© All rights reserved. This drawing is sole property of Kal-fire. No part of this drawing may be reproduced, or published, in any form or in any way without prior written permission from Kal-fire.



All dimensions in mm. Modifications under reserve.

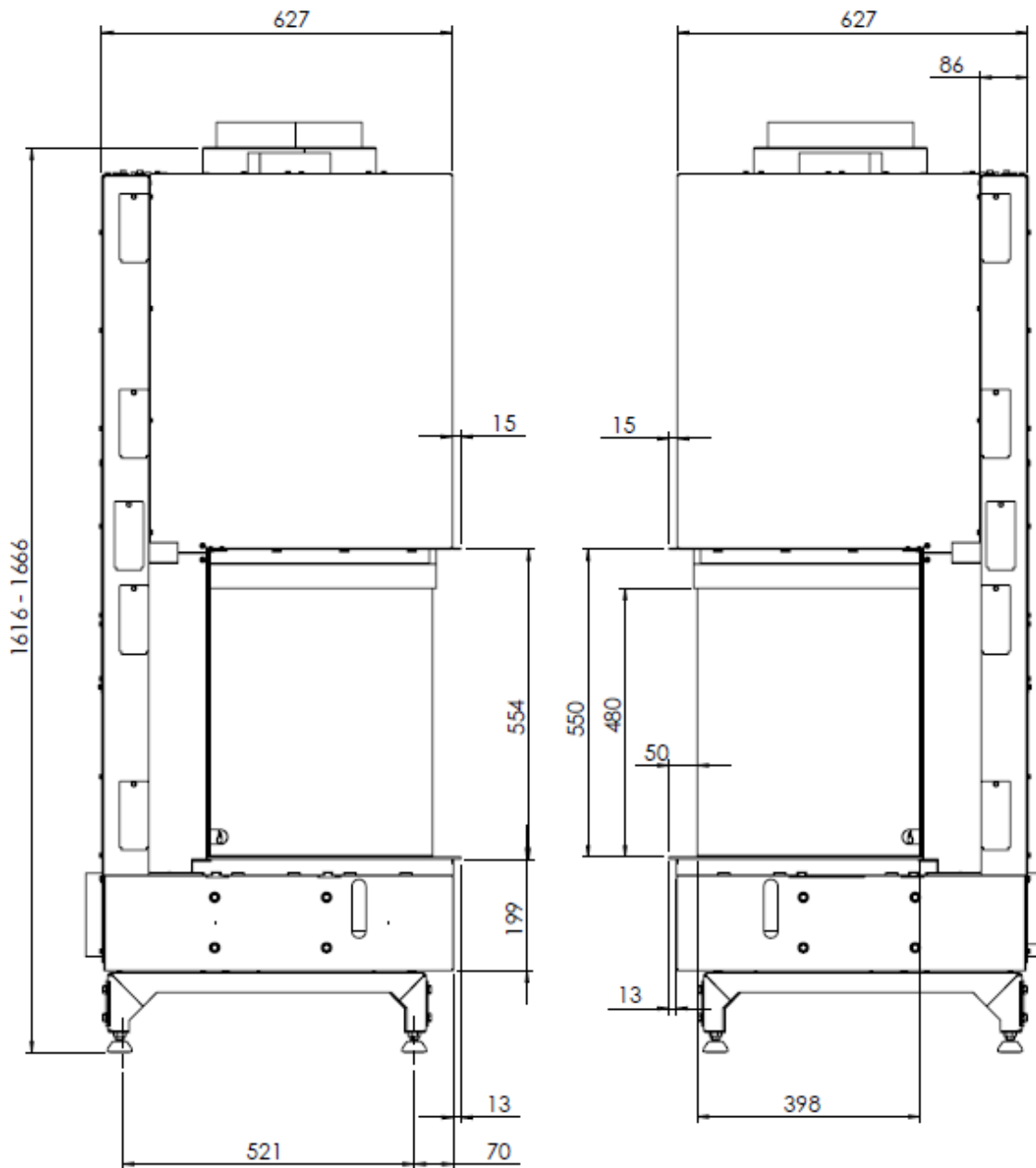
2-9-2016 sheet 2 / 5

© All rights reserved. This drawing is sole property of Kal-fire. No part of this drawing may be reproduced, or published, in any form or in any way without prior written permission from Kal-fire.

KALFIRE

FIREPLACES

W90-47S



All dimensions in mm. Modifications under reserve.

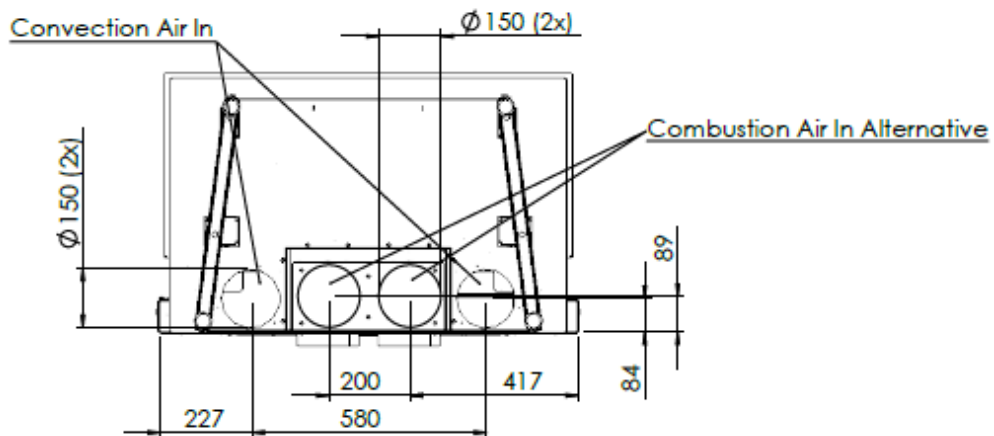
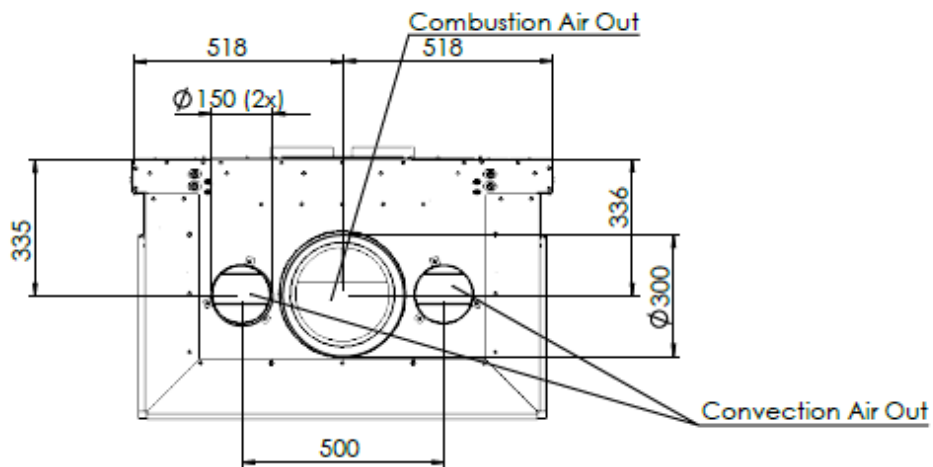
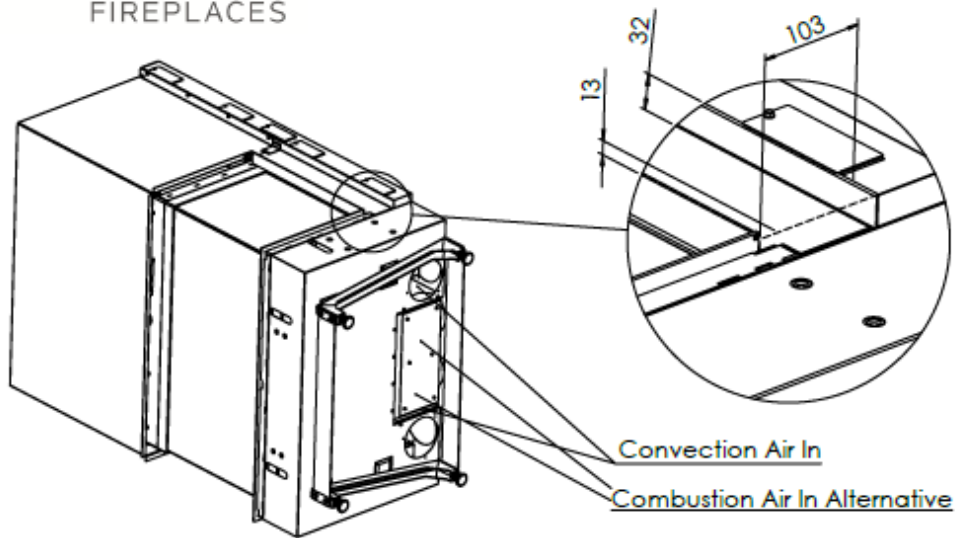
2-9-2016 sheet 3 / 5

© All rights reserved. This drawing is sole property of Kal-fire. No part of this drawing may be reproduced, or published, in any form or in any way without prior written permission from Kal-fire.

KALFIRE

FIREPLACES

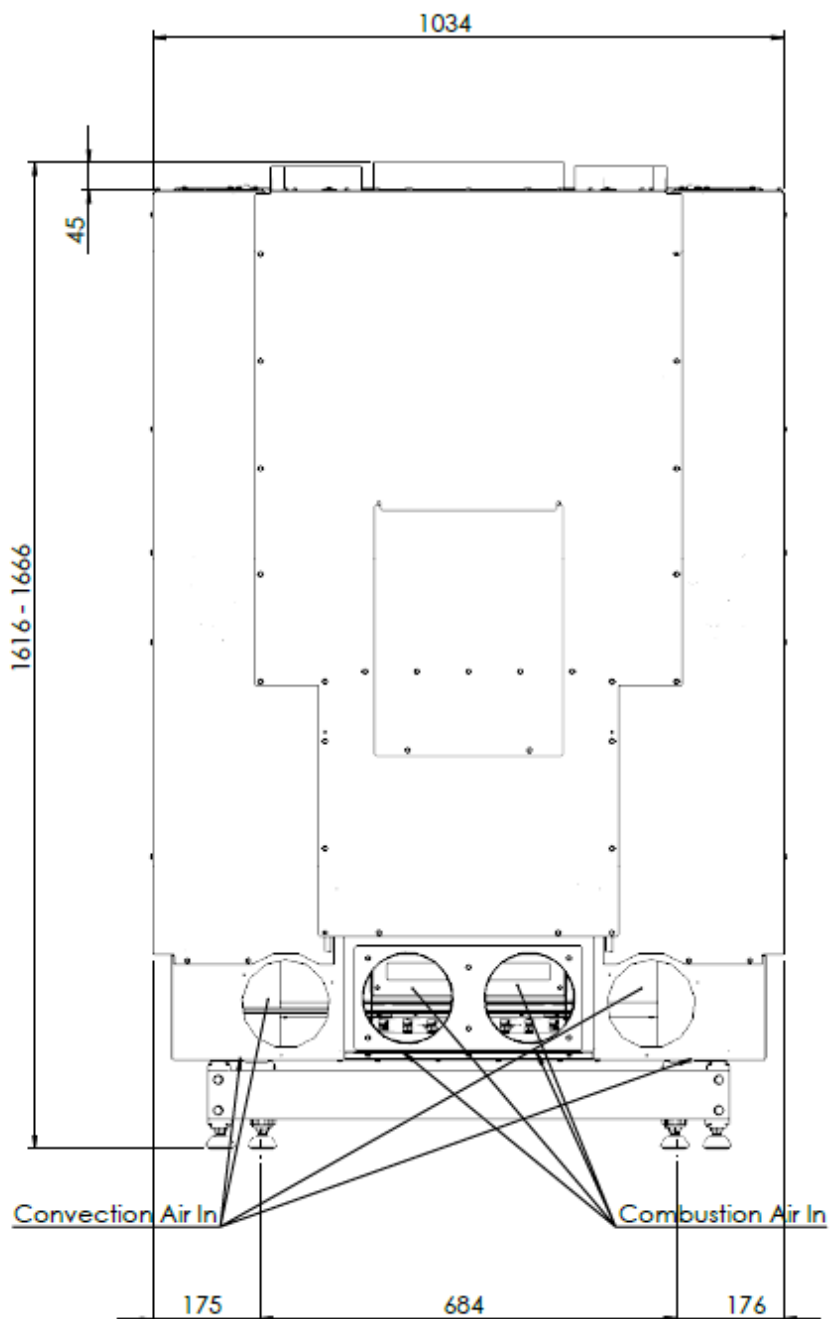
W90-47S



All dimensions in mm. Modifications under reserve.

2-9-2016 sheet 4 / 5

© All rights reserved. This drawing is sole property of Kal-fire. No part of this drawing may be reproduced, or published, in any form or in any way without prior written permission from Kal-fire.



All dimensions in mm. Modifications under reserve.

2-9-2016 sheet 5 / 5

© All rights reserved, This drawing is sole property of Kal-fire. No part of this drawing may be reproduced, or published, in any form or in any way without prior written permission from Kal-fire.