
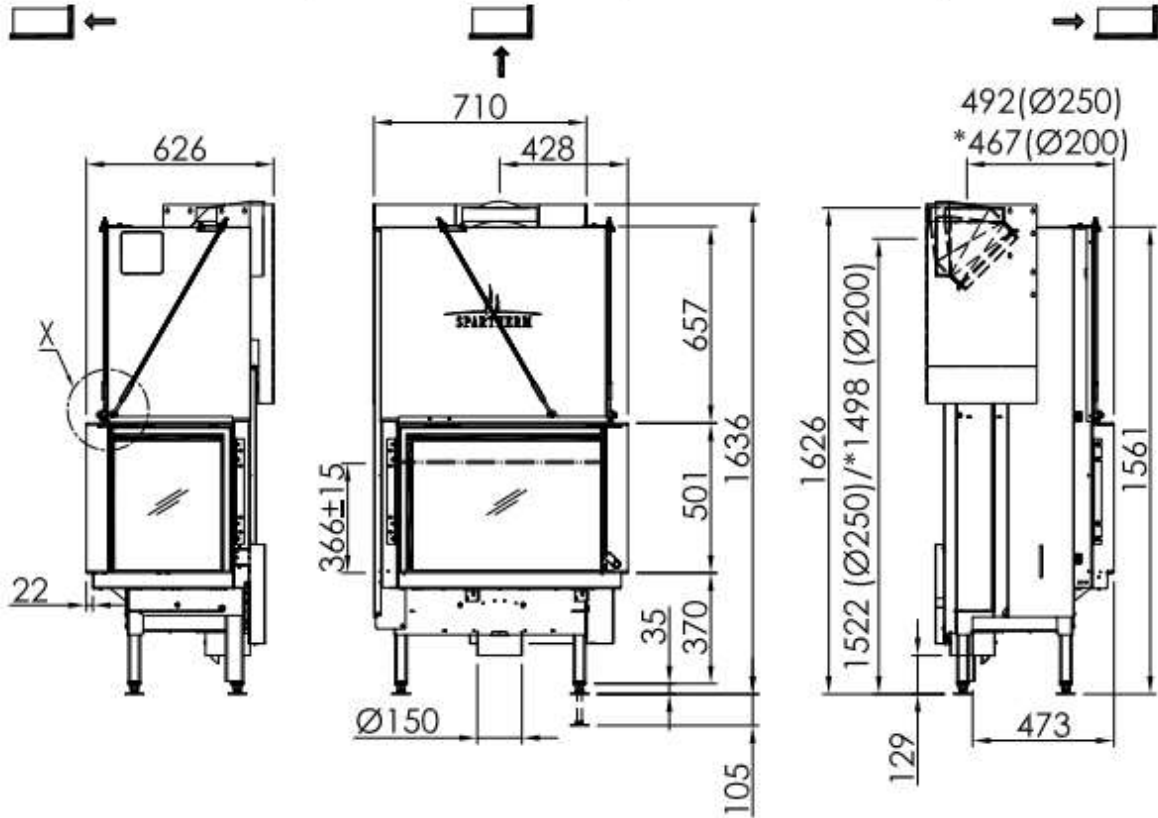




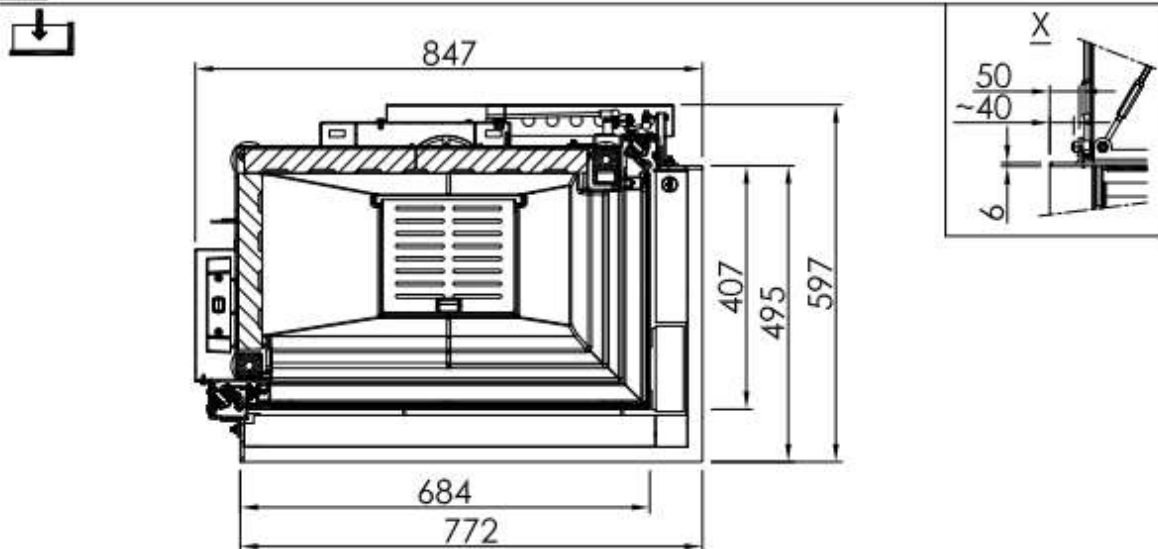
HUIS & HAARD

haarden & kachels

Premium V-2R-68h			 SPARTHERM [®] The Fire Company
PremiumEdition	RLA	2019/06	



 ~1:20

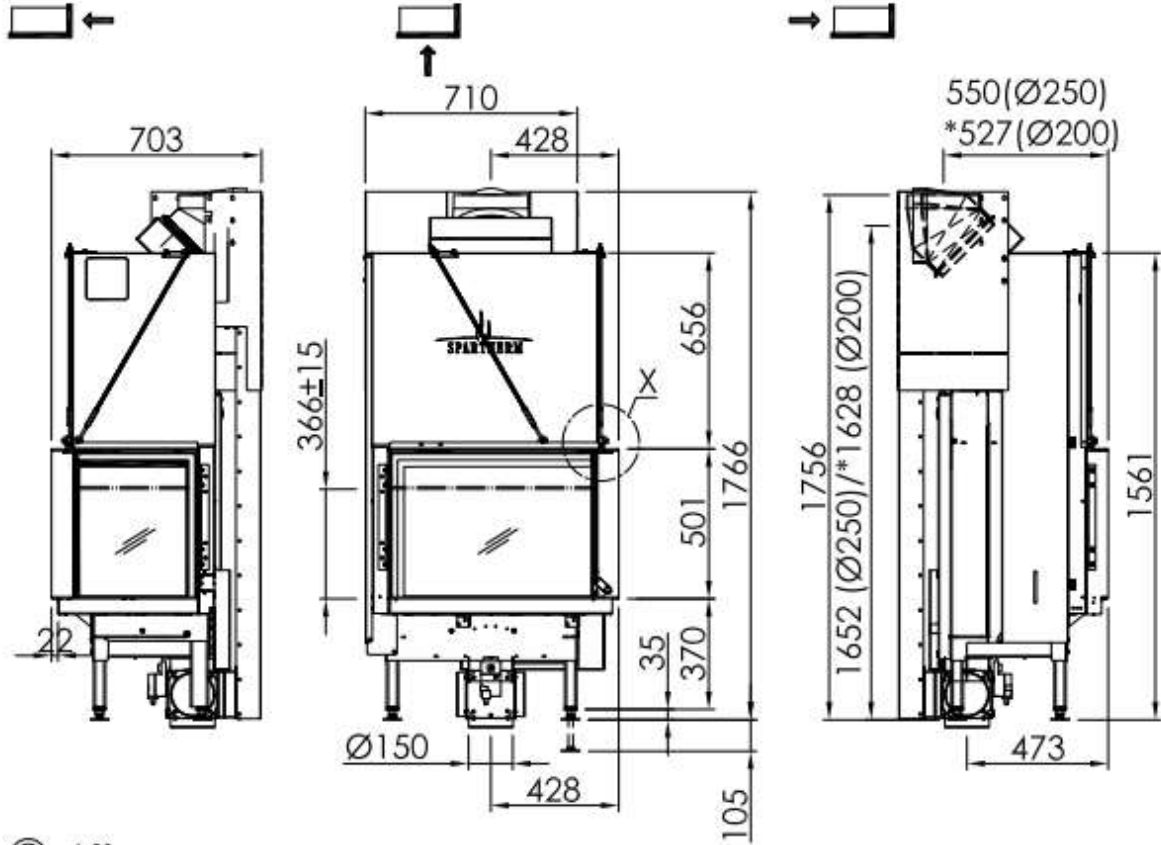


Premium V-2R-68h + S-Kamatik

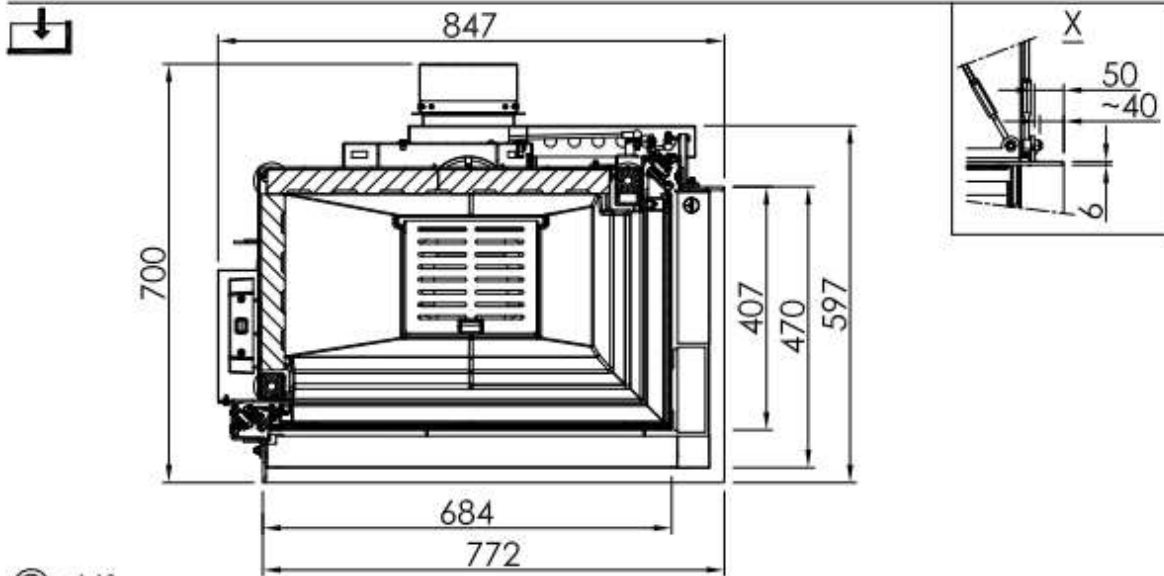
PremiumEdition

RLA

2019/05



-1:20



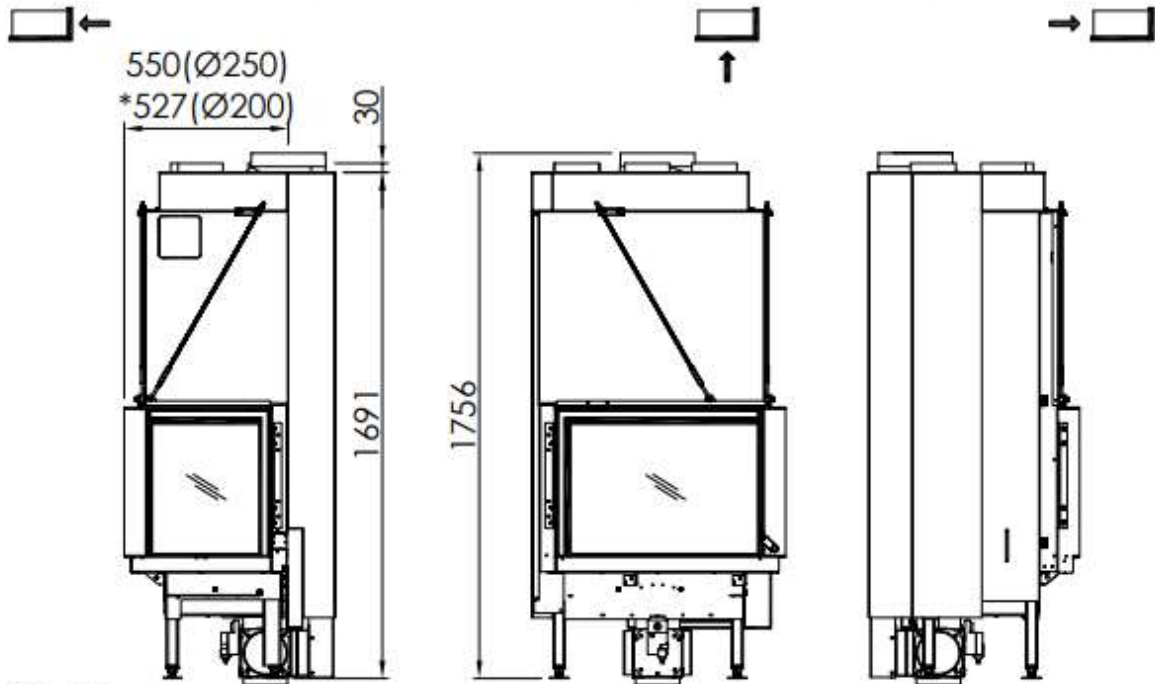
-1:10

Premium V-2R-68h + S-Kamatik + WLM

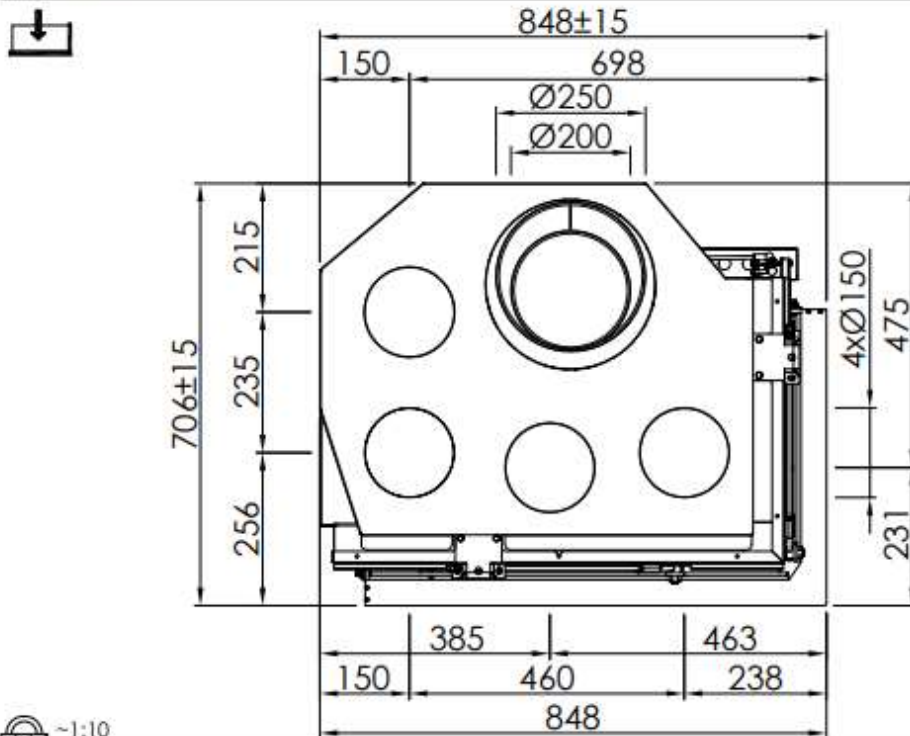
PremiumEdition

RLA


2019/05

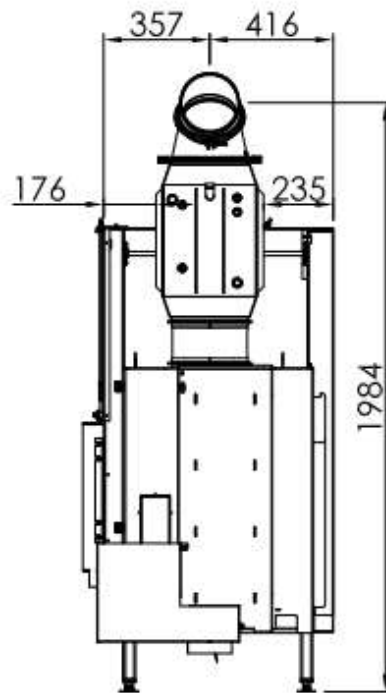
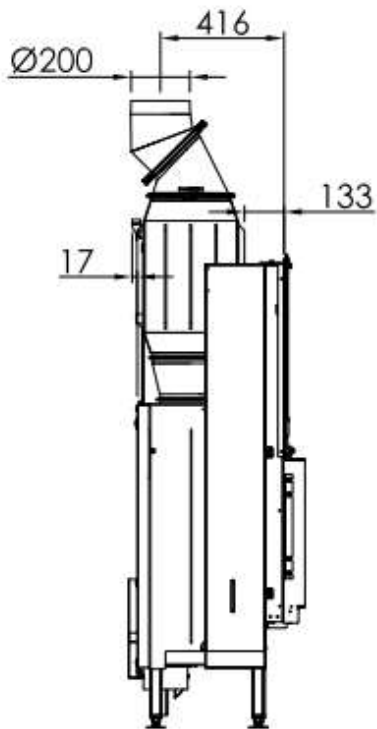



~1:20

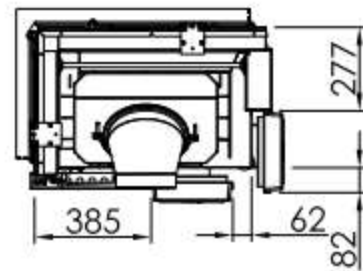
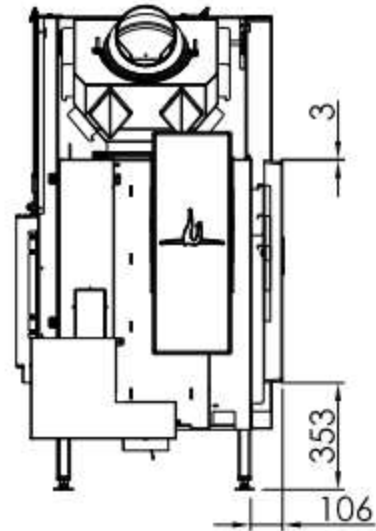
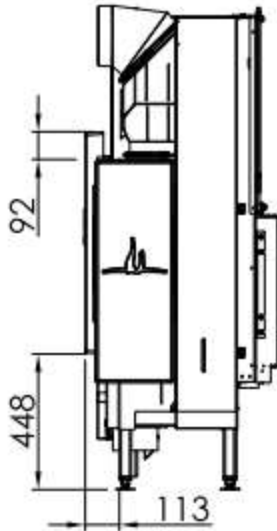



~1:10

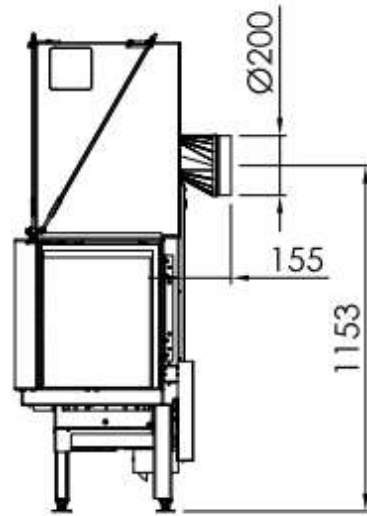
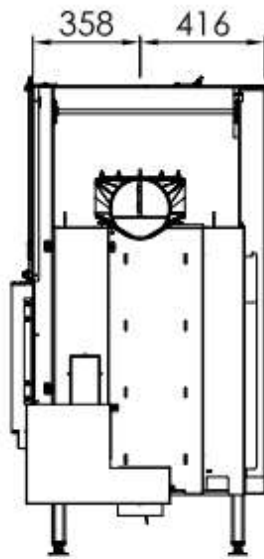
Premium V-2R-68h + Aquabox, groß (+ Adapter)			 SPARTHERM [®] <small>The Fire Company</small>
PremiumEdition	RLA	2019/05	



Premium V-2R-68h + eboris-akku			 SPARTHERM [®] <small>The Fire Computer</small>
PremiumEdition	RLA	2019/05	



Premium V-2R-68h + Fäustling			
PremiumEdition	RLA	2019/05	



Premium V-2R-68h + Helix 460, Set XL

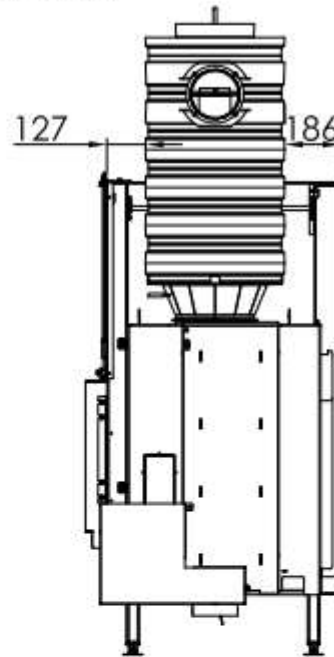
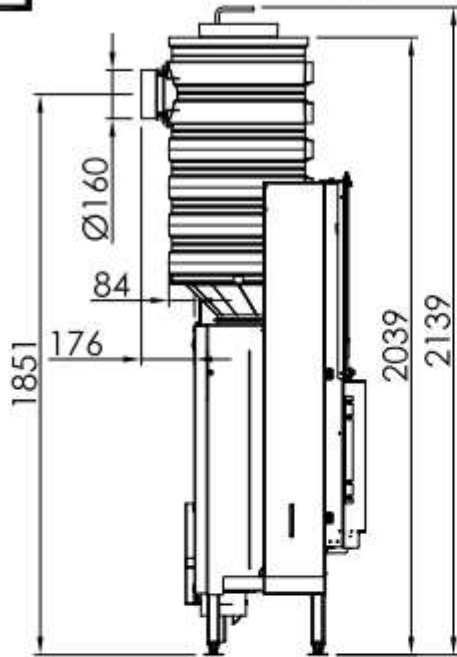
PremiumEdition

RLA

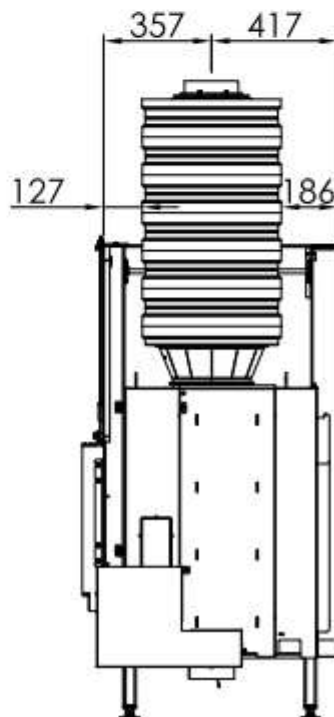
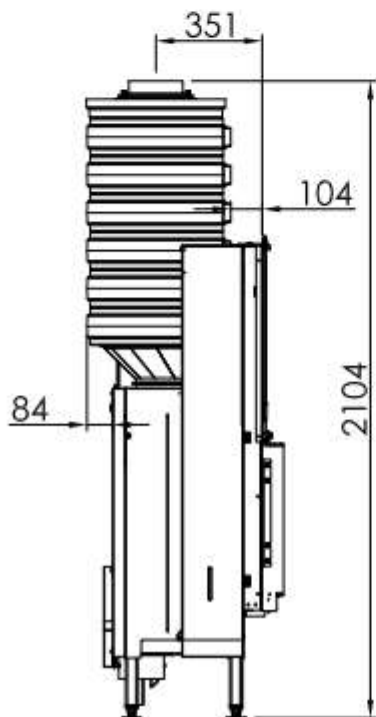
2019/05



Abgang hinten, Adapter exzentrisch



Abgang oben, Adapter exzentrisch



Premium V-2R-68h + Thermobox (+ Adapter)

PremiumEdition

RLA

2019/05

